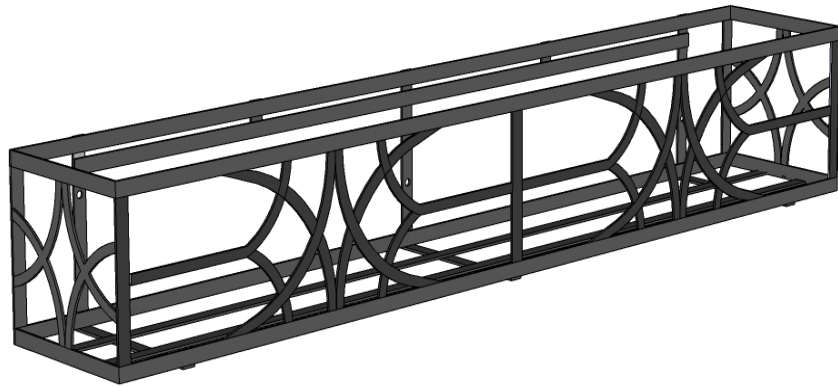
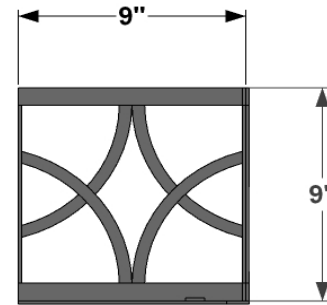


PERSPECTIVE VIEW

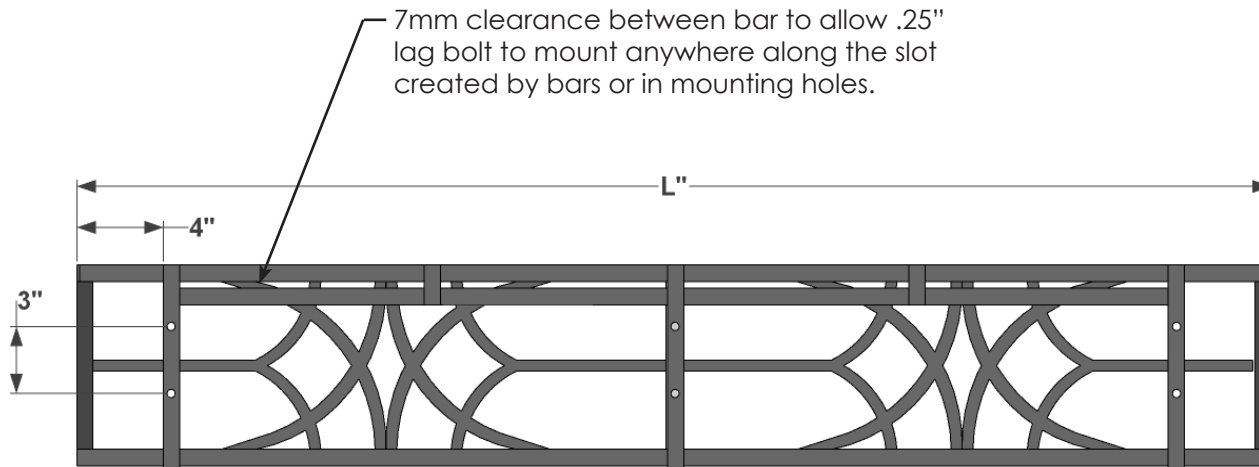


SIDE VIEW



| SIZE | L= Actual Dimensions for Liner Fitment |
|------|--|
| 48" | 49"L x 9"W by 9" H |
| 60" | 61"L x 9"W by 9" H |
| 72" | 73"L x 9"W by 9" H |

BACK VIEW



GENERAL NOTES

1. Design Fabricated with 1/2" x 0.875" flat bar
2. Cage Frame and supports fabricated with 3/4" x 0.875" flat bar
3. Mounting Holes: 0.28" DIA (7mm)



HOOKS & LATTICE

6056 Corte Del Cedro, Carlsbad CA 92011
 1-888-320-0626/service@plantersunlimited.com
 www.plantersunlimited.com

| PRODUCT DESCRIPTION | | SKU | | | | ORDER NUMBER | CUSTOMER SIGNATURE |
|-------------------------------|--|------------|---------------|------|-----|--------------|--------------------|
| Falling Water Window Box Cage | | 543C-Large | | | | | |
| DIMENSIONS | | COLOR | FINISH | REP: | DB: | DATE | |
| | | Black | Powder Coated | | | | |

