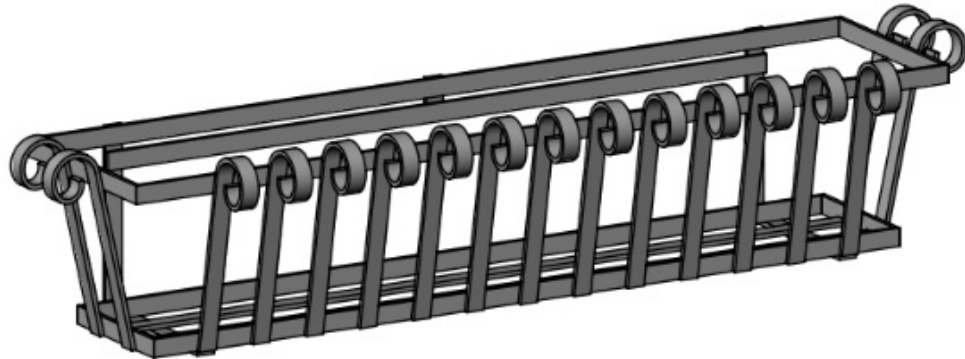
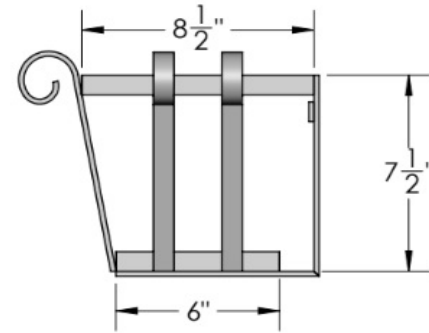


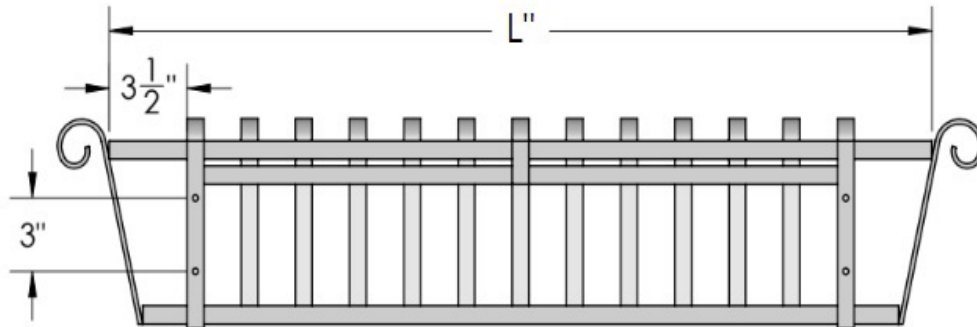
PERSPECTIVE VIEW



SIDE VIEW



BACK VIEW



SIZE	L= Actual Dimensions for Liner Fitment
24"	25" Top 22" Bottom
30"	31" Top 28" Bottom
36"	37" Top 34" Bottom
42"	43" Top 40" Bottom
48"	49" Top 46" Bottom
60"	61" Top 58" Bottom
72"	73" Top 70" Bottom

GENERAL NOTES

1. Frame, back and bottom supports:
3/4"W x 1/8" Thk Flat Bar
2. Scrollwork: 3/4" x 3/16" Thk Bar, 2" Scrolls
Adds 4" to length and 2" to width
3. Mounting Holes: Ø 1/4"
4. (7mm) clearance between back bars to allow 1/4" log bolt to mount anywhere along slot.
5. Scrolls placed 2 1/2" OC consistency along length of box 2



HOOKS & LATTICE

6056 Corte Del Cedro, Carlsbad CA 92011
1-888-320-0626/service@plantersunlimited.com
www.plantersunlimited.com

PRODUCT DESCRIPTION		SKU				ORDER NUMBER	CUSTOMER SIGNATURE
Venetian Window Box		512B-X					
DIMENSIONS	COLOR	FINISH	REP:	DB:	DATE		
	Black	Powder Coated					

