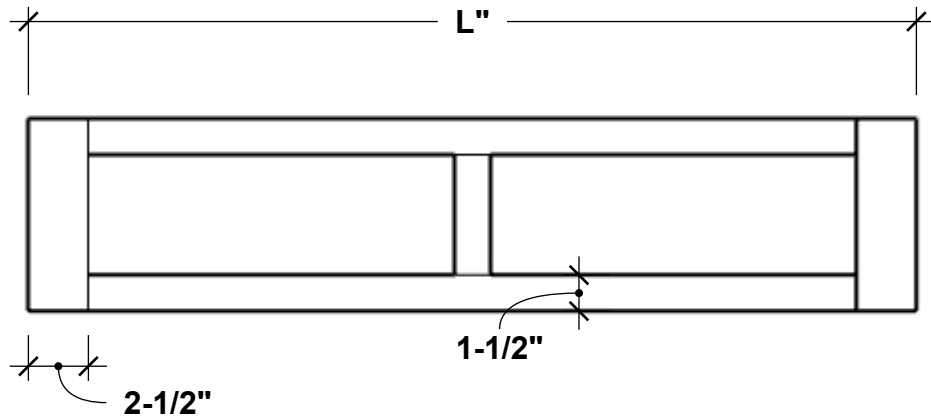
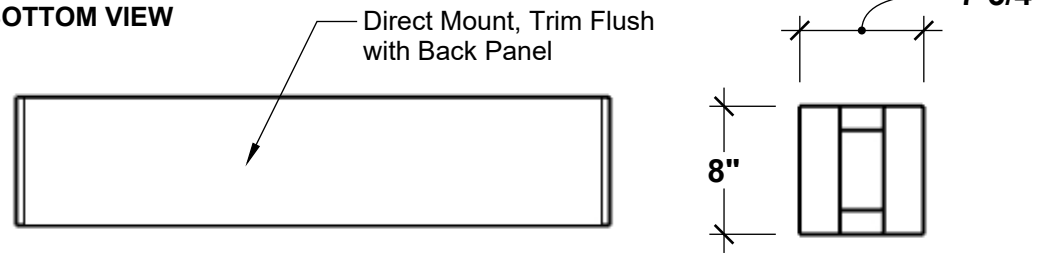


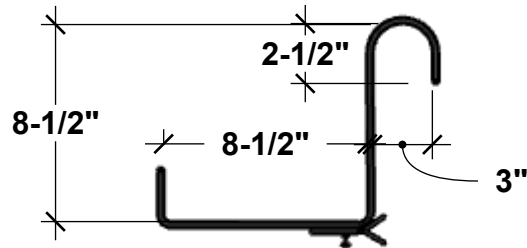
FRONT VIEW



BOTTOM VIEW



RAILING BRACKET



| L SIZE | Exterior Dimensions |
|--------|----------------------|
| 24" | 25"L x 7 3/4"W x 8"H |
| 30" | 31"L x 7 3/4"W x 8"H |
| 36" | 37"L x 7 3/4"W x 8"H |
| 42" | 43"L x 7 3/4"W x 8"H |
| 48" | 49"L x 7 3/4"W x 8"H |
| 60" | 61"L x 7 3/4"W x 8"H |
| 72" | 73"L x 7 3/4"W x 8"H |

HOOKS & LATTICE

A CARLSBAD MANUFACTURING COMPANY

1 (800) 896-0978

HooksandLattice.com

GENERAL NOTES

1. Direct Mount, Trim is Flush with Back Panel
2. The Window Box is made of 1/2" thick PVC trim adds 1" to length and 1/2" to width.
3. Round railing bracket fits most railings up to 2 1/2"W
4. Window Box will rest on Top of Bracket
5. Place brackets evenly-no more than 24" between brackets for quality support.
6. 1 pair for window boxes in length to 48", 60" and 72" lengths require 2 pairs

| PRODUCT DESCRIPTION | | | | SKU | | | | PREPARED FOR | | APPROVAL SIGNATURE |
|-------------------------------------|----------|----------------|--------|----------------|---------|-----|---------|--------------------------|---------------|--------------------|
| SOLERA RAILING PLANTER - ROUND RAIL | | | | A2-025-414RB85 | | | | | | |
| DIMENSIONS | MATERIAL | COLOR / FINISH | REP | DB | DATE | REV | ORDER # | PROJECT / SIDEMARK / IF# | APPROVAL DATE | |
| | | | Cressa | RM | 01/2025 | | | | | |

PLEASE NOTE: Due to the handmade nature of our products, individual measurements may vary from those listed. The provided dimensions are for reference only

All images are the intellectual property of Hooks and Lattice. Reproduction in any form is strictly prohibitive without the express written permission of Hooks and Lattice. All designs are property of Hooks and Lattice.