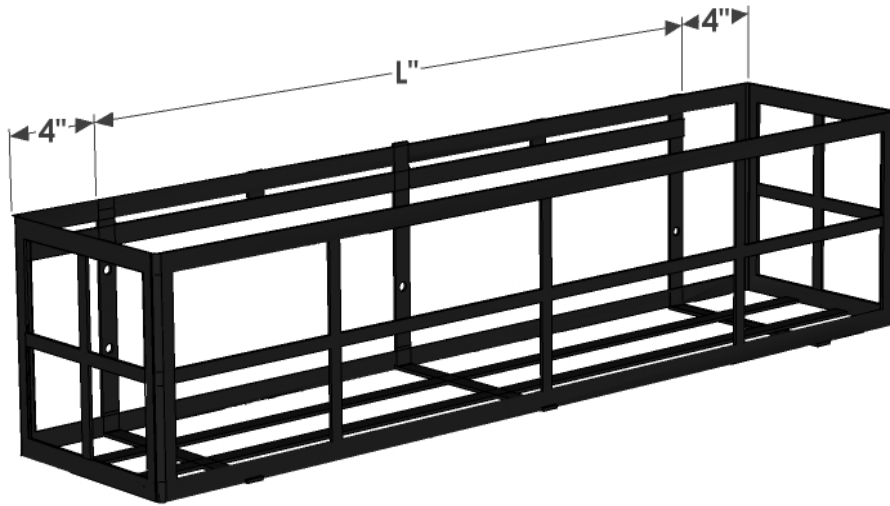
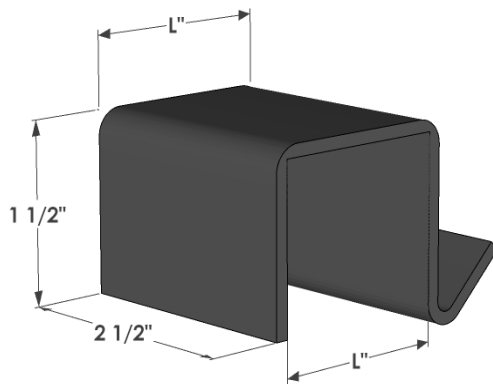


PERSPECTIVE VIEW

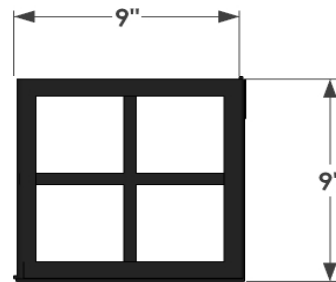


SIZE	L= Actual Dimensions for Liner Fitment
24"	25"L x 9"W by 9" H
30"	31"L x 9"W by 9" H
36"	37"L x 9"W by 9" H
42"	43"L x 9"W by 9" H
48"	49"L x 9"W by 9" H
60"	61"L x 9"W by 9" H
72"	73"L x 9"W by 9" H

RAILING BRACKET PERSPECTIVE VIEW



SIDE VIEW



Rail Brackets Size	
1"W	Fits 1" Wide Rail
1.25"W	Fits 1.25" Wide Rail
1.5"W	Fits 1.5" Wide Rail
1.75"W	Fits 1.75" Wide Rail
2"W	Fits 2" Wide Rail

GENERAL NOTES

1. Frame, Back and Bottom supports: 3/4"W x 3/16" Thk Flat Bar
2. Design: 1/2"W x 3/16" Thk Flat Bar
3. Mounting Holes 0.28" dia. (7mm)
4. Simply place the basket on top of the railing and the back of the flower planter box will securely sit in the V-shape. No hardware is necessary.
5. The 60"- 72" sizes will come with two pairs of railing brackets.



HOOKS & LATTICE

6056 Corte del Cedro, Carlsbad, CA 92011
 sales@hooksandlattice.com
 800-896-0978

PRODUCT DESCRIPTION		SKU				ORDER NUMBER	CUSTOMER SIGNATURE
Simple Elegance Window Box Cage w/ Flat Railing Brackets		547C-X-413					
DIMENSIONS	COLOR	FINISH	REP:	DB:	DATE		

