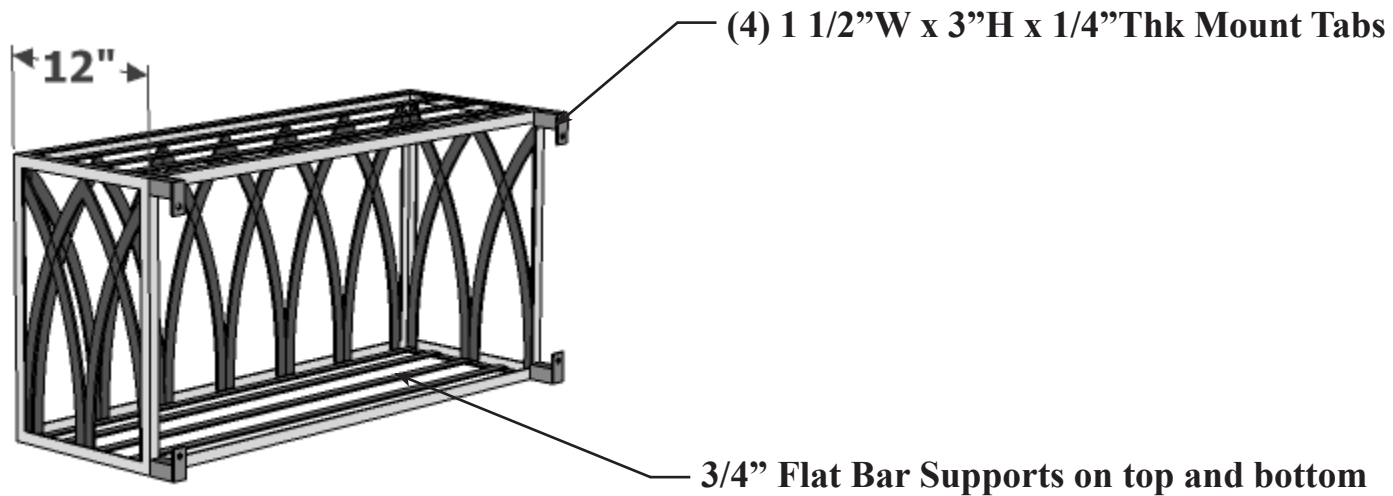


FRONT VIEW



BACK VIEW

Date:
Scale: NTS
DB: RMA
CB:
Rep:
Order#:

Content: Arch Iron Air Conditioning Cover
PN: 906-AC-3612-18H-BLK
Color/Finish: Black Powder Coat
Customer Approval: _____

Design by Hooks and Lattice. All visual representations and designs are the intellectual property of Hooks and Lattice and protected under copyright law. Any duplication of this design is in direct violation of the law and will result in legal action. © Copyright 2008-2014

Hooks & Lattice
A GARDEN MARKET

T:800-896-0978

F:760-603-0862